

## SPECS

## INPUT

INTERFACE	QUANTITY	SPEC
VIDEO	2	PAL, NTSC, PAL-M/N, SECAM
VGA	2	VESA Standard , PC to 1920×1200
DVI	2	VESA Standard , PC to 1920×1200
HDMI	1	480i/p, 576i/p, 720p, 1080i/p, support 8, 10, 12 bit deep color
SDI	1	1080p 60/50/30/25/24/25(PsF)/24(PsF) 720p 60/50/25/24 1080i 1035i 625/525 line

## OUTPUT

DVI	2	1024×768/60Hz	1024×1280/60Hz	1280×720/50Hz
		1280×1024/60Hz	1440×900/60Hz	1024×1920/60Hz
		1536×1536/60Hz	1600×1200/60Hz	1280×720/60Hz
VGA	1	1920×1080/50Hz	1920×1080/60Hz	1920×1200/60Hz
		1680×1050/60Hz	2560×960/60Hz	2048×640/60Hz
		2304×1152/60Hz	2048×1152/60Hz	User defined

## LOOP

DVI	1	480i/p, 576i/p, 720p, 1080i/p, support 8, 10, 12 bit deep color VESA Standard , PC to 1920×1200
SDI	1	1080p 60/50/30/25/24/25(PsF)/24(PsF) 720p 60/50/25/24 1080i 1035i 625/525 line

## GENERAL

Weight	3.5kg
Dimensions	4.4cm(H)×44cm(W)×28.5cm(D)
Power supply	100V~240V AC 50~60Hz
Power consumption	20W
Working temperature	0°C~45°C

Specifications subject to change without prior notice !

## CONTACT US

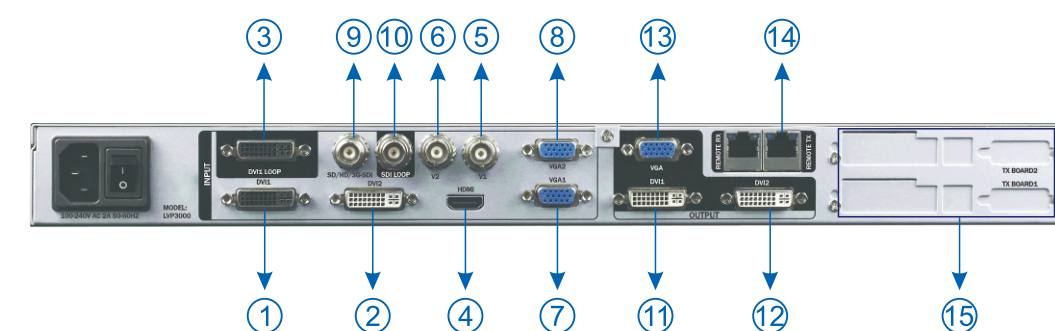
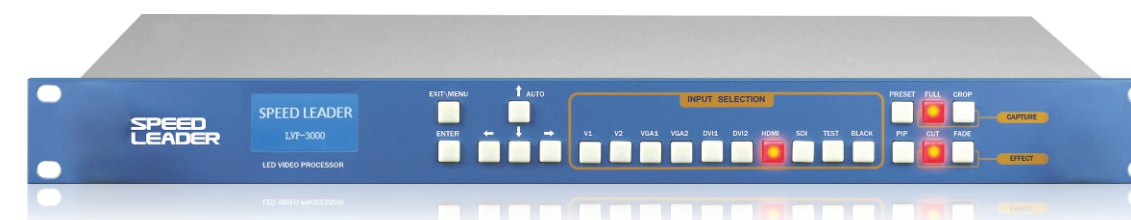
Tel: +86-0755-8618 0829  
 Fax: +86-0755-8653 8364  
 Web: www.jstron.com  
 Tech Support: support@jstron.com  
 Email: sales@jstron.com  
 Add : 305 West Tower ,Haida Creative  
 Park , Nanshan District, Shenzhen, China

Ellen  
 Phone : +86-180 3818 6112  
 Email : ellen@jstron.com  
 Skype : jstron01

Alice  
 Phone : +86-180 3818 6113  
 Email : alice@jstron.com  
 Skype : jstron02

## JSTRON • SPEED LEADER • LVP3000

- 8 video inputs
- Seamless switch
- Professional switch effect
- Support video wall splicing
- FREEZE mode
- HDMI/DVI loop
- PIP/POP size and position adjustable
- User defined resolution input/output



1--DVI1 input  
 2--DVI2 input  
 3--DVI loop  
 4--HDMI input

5--Video1 input  
 6--Video2 input  
 7--VGA1 input  
 8--VGA2 input

9--SDI input  
 10--SDI loop  
 11--DVI1 output  
 12--DVI2 output

13--VGA output  
 14--RJ45 remote control  
 15--Sending card plugs

SHENZHEN JSTRON CO.,LTD



**FUNCTION DESCRIPTION**

• **Dual Pictures**

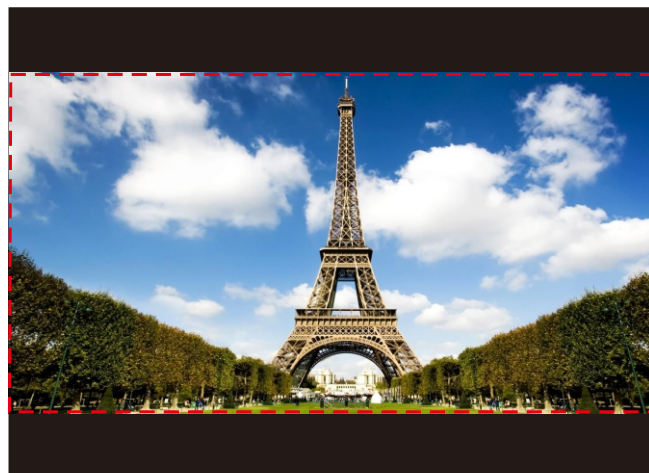


PIP



POP

• **Image Crop**



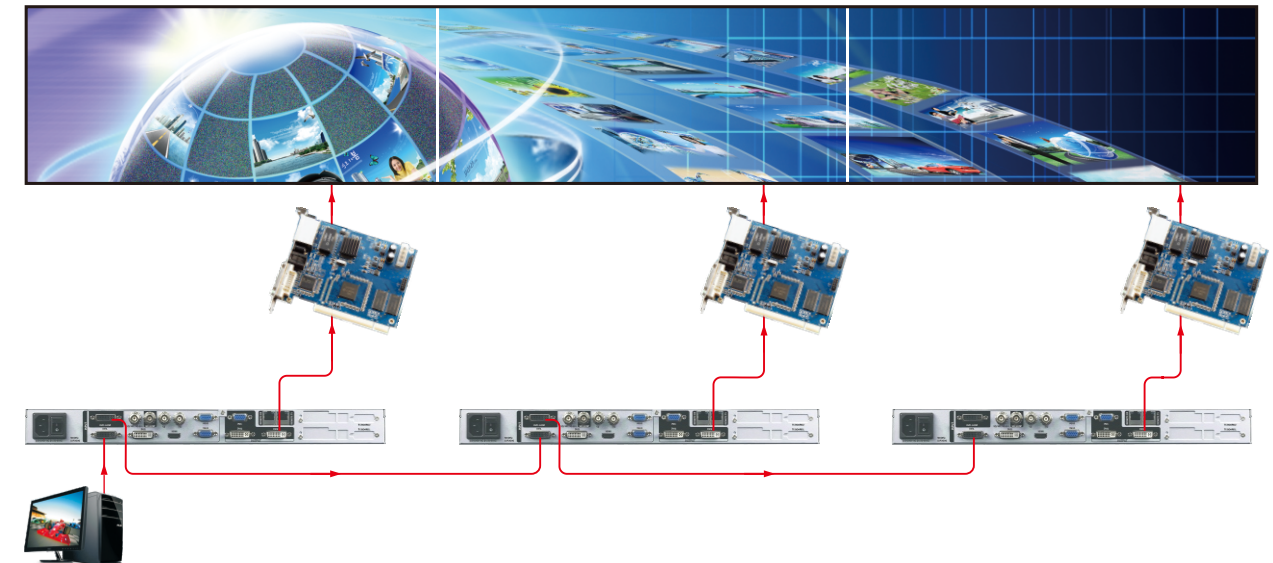
Input



Output

**SPLICING APPLICATION 1**

If the LED wall resolution is above one LVP3000's maximum output resolution, it can be able to splice the large resolution LED wall with at least two LVP3000 and the diagram as shown below.



**SPLICING APPLICATION 2**

It can splice a large resolution LED wall with three LVP3000 and the diagram as shown below. This method can splice up to 5120X960 or 2560X1920 pixels LED wall.

